

6914E, 3215E: Tuning Fork SMD Quartz Crystal

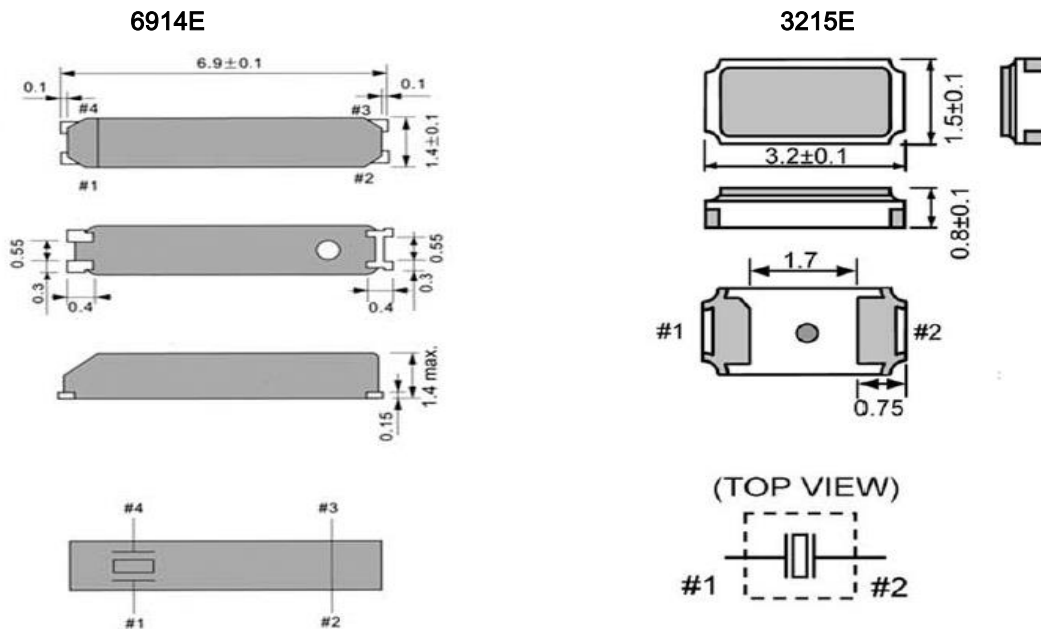
32.768 KHz

● SPECIFICATION

| Type | 6914E | 3215E |
|-----------------------------|------------------------------------|-------------------------|
| Frequency Range | 32.768 KHz | |
| Load Capacitance | 7 pF, 12.5 pF | 6 pF, 7 pF, 9pF, 12.5pF |
| Drive Level | 0.1±0.01 μW (typ) , 0.5uW (max) | |
| Frequency Tolerance | ±20 ppm (at 25°C) | |
| Series Resistance | 65 KΩ (max) | 70 KΩ (max) |
| Turnover Temperature | 25°C±5°C | |
| Temperature Coefficient | -0.03±0.01ppm/C ² (max) | |
| Operating Temperature Range | -40°C ~ +85°C | |
| Storage Temperature Range | -55°C ~ +125°C | |
| Motional Capacitance | 2.0 fF (typ) | 4.7 fF (typ) |
| Shunt Capacitance | 0.85 pF (typ) | 1.1 pF (typ) |
| Insulation Resistance | 500 MΩ (min) | 500 MΩ (min) |
| Aging | ±3 ppm / Year (Max) | |

Soldering the body of the cylinder type crystal units with PCB Must be avoided due to deteriorate the characteristics or damage the products.

● DIMENSIONS (mm)



● RECOMMENDED LAND PATTERN

